

ADD-A-GRAPPLE SELECTOR

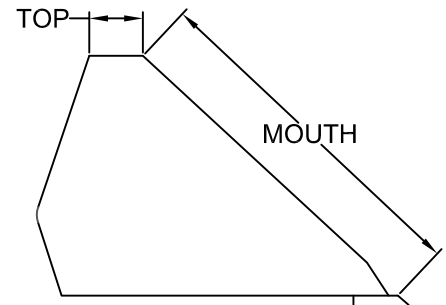
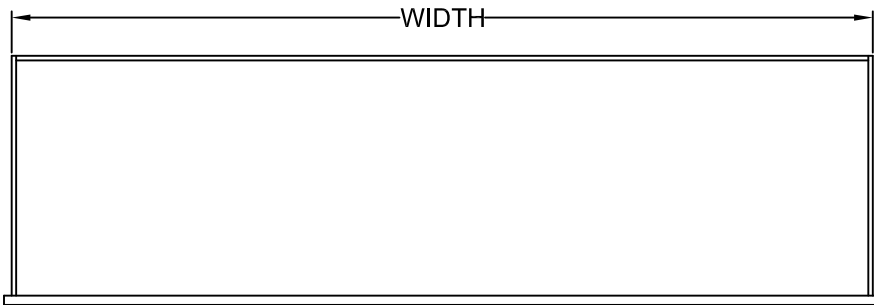
STEP 1- Measure your BUCKET WIDTH

STEP 2- Measure your BUCKET MOUTH

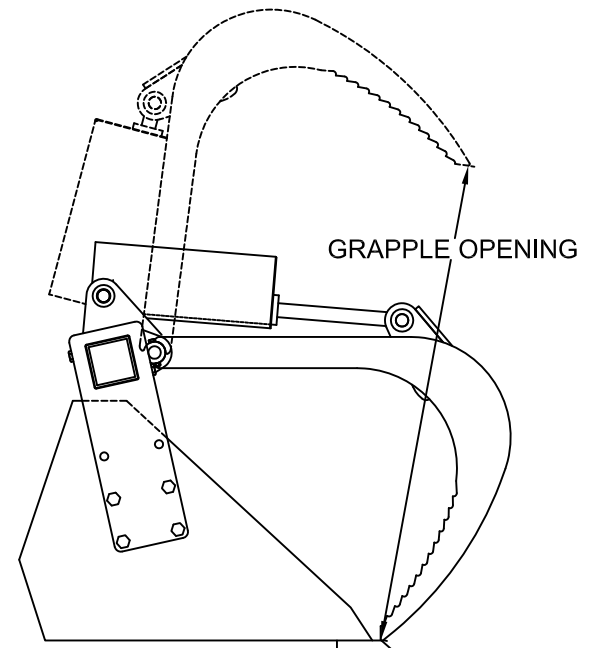
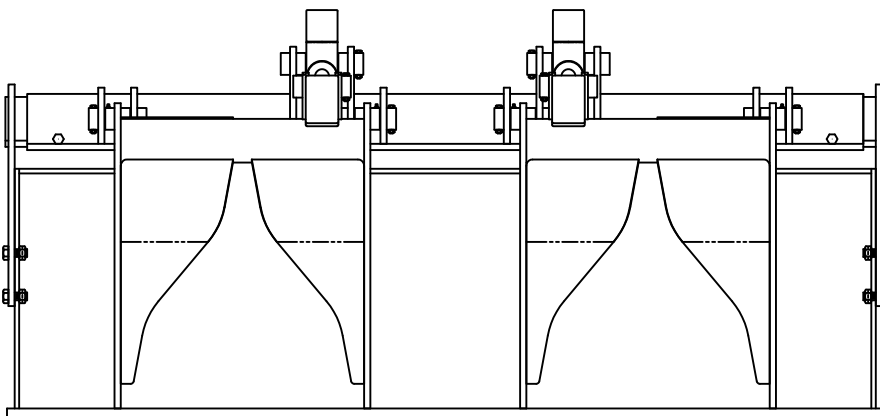
STEP 3- Measure your BUCKET TOP (Only required on tractors near mouth minimum)

STEP 4- SELECT THE MODEL that matches your measurements

MODEL#	WIDTH	Skid Steer		Tractor		Grapple Opening
		MOUTH	TOP	MOUTH	TOP	
115 MINI	36-55"	17-22"		14-22"	3" MIN.	28"
111 COMPACT	60-79"	22-30"		20-30"	3" MIN.	35"
222 CONTRACTOR	68-90"	26-36"		22-36"	5" MIN.	39"
225 COMMERCIAL	80-100"	N/A		29-44"	5" MIN.	49"



Custom Widths Available



(Typical installation of Model 222 Contractor Add-A-Grapple)